



# Course Selection Information



What Grade 10 students need to know...

# What do students need to graduate?

To obtain your Ontario Secondary Schools Diploma (OSSD), students must:

- 1) Successfully pass 30 credits (18 compulsory and 12 electives)
- 2) Complete the Provincial Literacy Requirement
- 3) Complete 40 hours of Community Service
- 4) Complete 2 online/eLearning courses - there is an option to opt out - see your Guidance Counsellor



# What courses are compulsory?

- 4 credits in English (1 credit per grade)
- 3 credits in mathematics (1 credit in Grade 11 or 12)
- 2 credits in science
- 1 credit in Canadian history
- 1 credit in Canadian geography
- 1 credit in the arts
- 1 credit in health and physical education
- 1 credit in French as a second language
- 0.5 credit in career studies
- 0.5 credit in civics

# Plus one credit from each of the following groups:

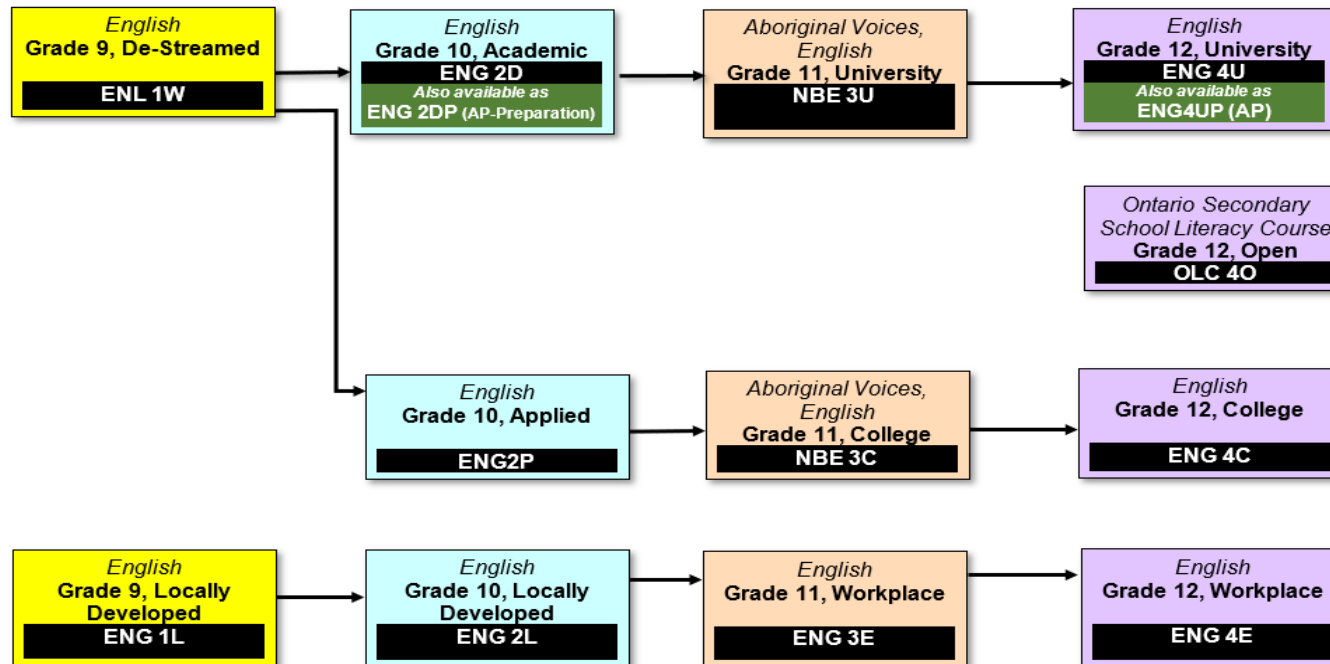
- GROUP 1: additional credit in English, or French as a second language,\*\* or a Native language, or a classical or an international language, or social sciences and the humanities, or Canadian and world studies, or guidance and career education, or cooperative education\*\*\*
- GROUP 2: additional credit in health and physical education, or the arts, or business studies, or French as a second language,\*\* or cooperative education\*\*\*
- GROUP 3: additional credit in science (Grade 11 or 12), or technological education, or French as a second language,\*\* or computer studies, or cooperative education\*\*\*

# What courses will I need in grade 11?

- English (college, workplace, university)
- Religion (open, university/college)
- Math (college, workplace, university, university/college)
- Plus 5 Elective courses  
(are you on track to complete your groups 1,2 and 3 credits?)
- Choose electives based on pathway first and foremost. Use SHSM resources to help you choose courses.

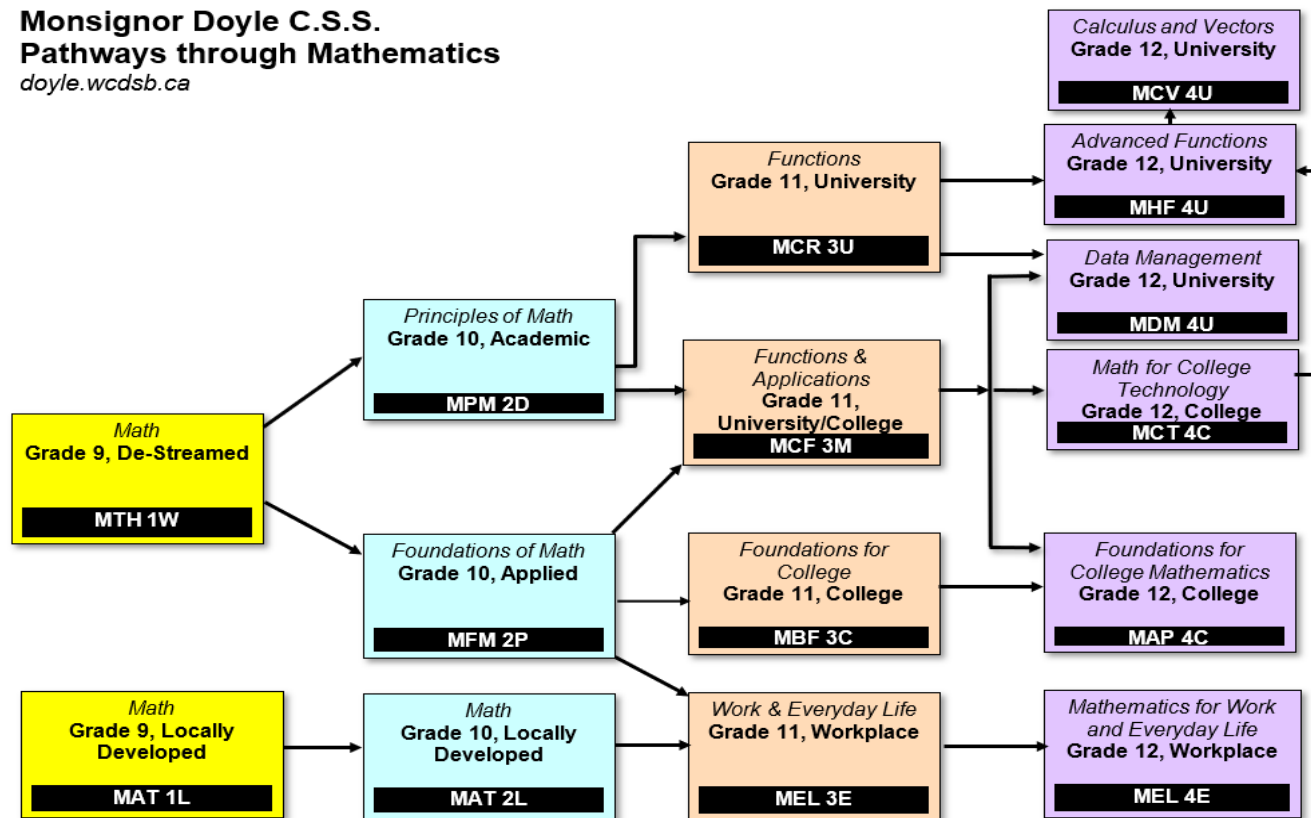
# Pathway through English

**Monsignor Doyle C.S.S.**  
**Pathways through English**  
*doyle.wcdsb.ca*



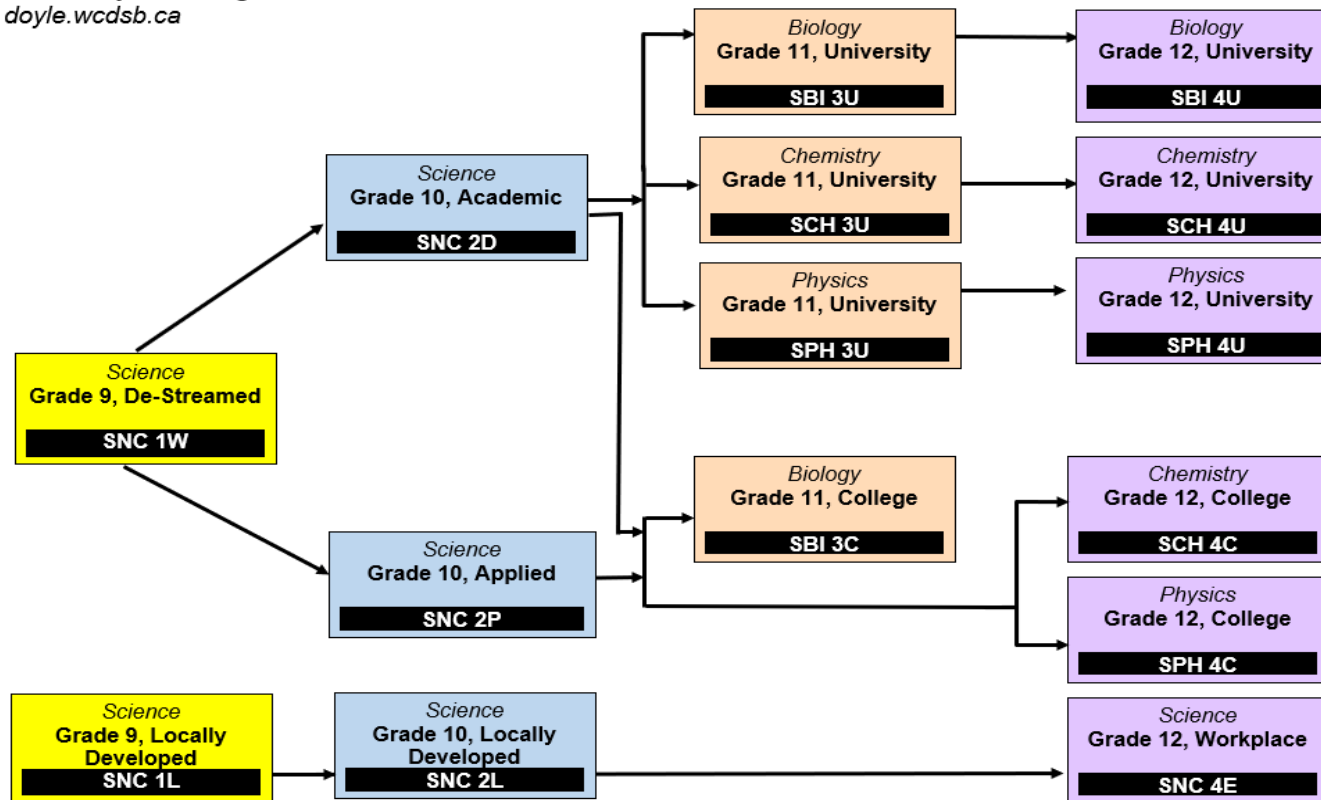
# Pathway through Math

**Monsignor Doyle C.S.S.**  
**Pathways through Mathematics**  
 doyle.wcdsb.ca



# Pathway through Science

**Monsignor Doyle C.S.S.**  
Pathways through Science  
[doyle.wcdsb.ca](http://doyle.wcdsb.ca)







Please consider signing up for the Specialist High Skills Major Program to help you with your pathway planning. See your Guidance counsellor for more information, or you can sign up today during this presentation.

Click on the link to learn more about experiential opportunities @ Doyle: [Point Presentation \(wcdsb.ca\)](https://www.wcdsb.ca)

Earn a Red Seal on your diploma at graduation!

# Considering CO-OP?

- Co-op is a great way to test drive a career
- Choose co-op in your planner
- Click on the co-op application and fill out
- Ask 2 teachers if they would be a character reference for you first, and then add their names to your application.
- Co-op applications are due when course selections are due.
- Co-op candidates that complete their application, will then be interviewed by a co-op teacher in the early Spring.



myBlueprint



**My Applications**

Go to [www.myBlueprint.ca](http://www.myBlueprint.ca)

Or **MyApps** on the WCDSB website to begin  
your course selections

**DUE DATE**

Course Selections (and co-op forms)  
must be completed by:

Saturday, March 1st, 2025